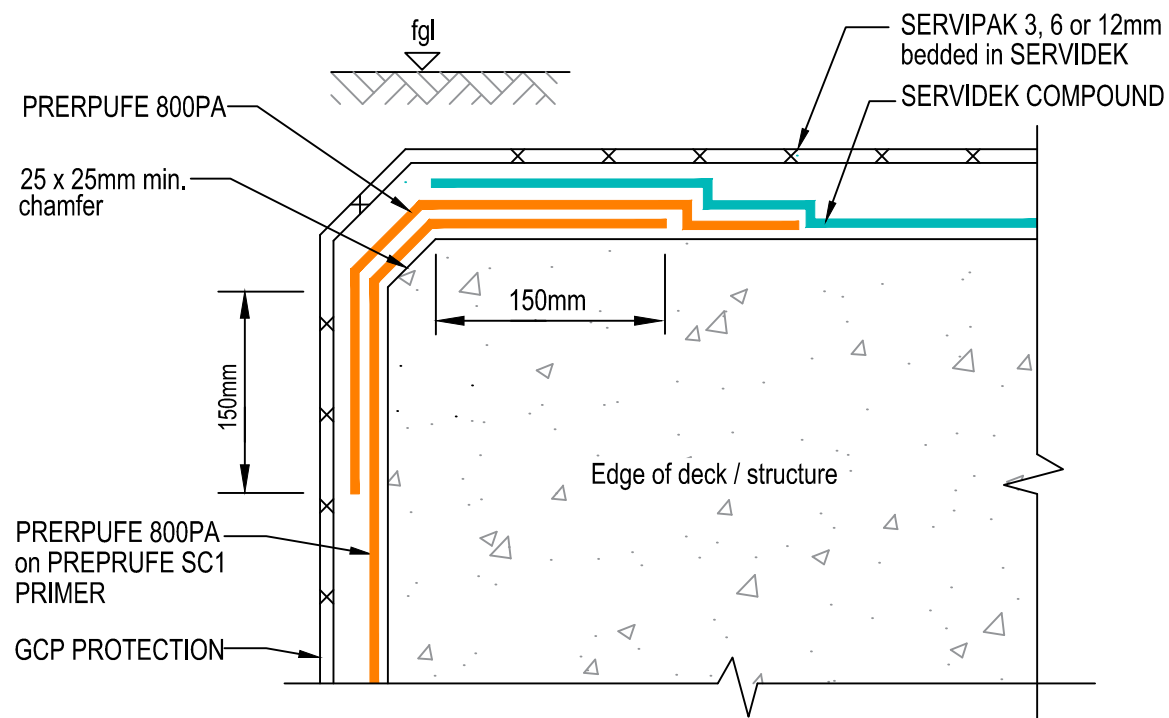
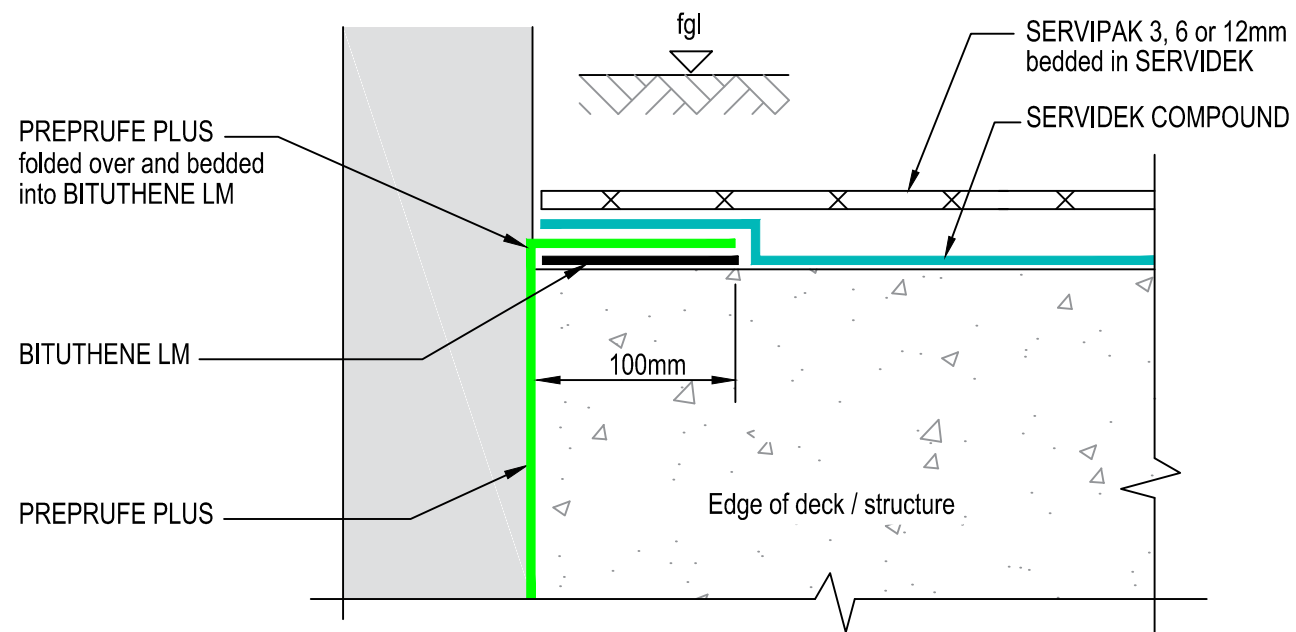


PREPRUFE PLUS / SERVIDEK-SERVIPAK SECTION



PREPRUFE 800PA / SERVIDEK-SERVIPAK SECTION



PREPRUFE PLUS / SERVIDEK-SERVIPAK (CONFINED SITE) SECTION

BASEMENT WATERPROOFING MEMBRANE / SERVIDEK-SERVIPAK INTERFACES

Servidek / Servipak System

Notes.

General Waterproofing

All waterproofing details shown herein should be brought to the attention of the designer of the structure, who is responsible for the waterproofing and structural design and for being aware of all the factors in the structural design that may impact on the waterproofing details, and approved by them in writing. Final decisions and any recommendations must be approved by the designer.

Roof Slabs / Podium Decks

This detail is for typical roof waterproofing applications only and may require modification to suit specific project conditions and design requirements. The design and application is to comply with the recommendations of BS 6229: 2003 'Flat Roofs With Continuously Supported Coverings'.

Basements / Buried Decks

BS8102:2009

6.2.4 The need for continuity in the waterproofing protection should also be considered when selecting a type of protection.

In most circumstances, the protection should be continuous.

For product installation this drawing is to be read in conjunction with all relevant product data sheets.

PRIMER S2 AND PREPRUFE SC1 PRIMER TO BE APPLIED TO CEMENTITIOUS SURFACES ONLY.

Adcor, Adprufe, Aerofil, BETEC, Bentorub, Bituthene, Hydroduct, Paraseal, Perm-A-Barrier, Preprufe, Preprufe Plus, Servidek, Servijoint, Servipak, Servirufe, Serviseal, Servitite, Silcor, Solarshield and Vertiseal are registered trademarks of GCP Applied Technologies. Armourtape, Bitushield, Bitustik, Colflex, Pak Adhesive, PVC Edgetie, Servitape, Slipstrip and Preprufe ZipLap are trademarks of GCP Applied Technologies. This drawing is Copyright 2016 of GCP Applied Technologies. Permission for copying is granted only to employees, authorised representatives, customers, and specifiers to support the sale or use of GCP Applied Technologies products. All other rights are reserved.



GCP APPLIED TECHNOLOGIES
580/581 Ipswich Road, Slough, Berkshire, SL1 4EQ, UK
T: +44(0)1753 490000 E: uksales@gcpat.com W: www.gcpat.com

Project:

Client:

Title:

Rev: Date: Description:

Scale: NTS

Project No:

Date:

Drawn:

Drawing No.:

Checked:

SDSP-19-0816